

## HD Fowler Flow Inducer

High head turbine pumps are a valuable tool in the onsite sewage industry. Their performance over a wide range of total dynamic head requirements make these pumps a good fit for a number of system arrangements: subsurface drip dispersal, STEP systems, or any application requiring a high head pump with no solids handling requirement. Turbine pumps are different than normal centrifugal pumps. Turbine pumps were developed for the water well market. The flow of water needs to pass over the motor before entering the volute, thereby cooling the motor. There are some expensive filtering devices available that are not necessary for all applications. The following instructions are intended to illustrate a very simple method of achieving the proper flow path for motor cooling. It is referred to as the ***HD Fowler Flow inducer***.

The *HD Fowler Flow Inducer* can be used where wastewater has been treated to secondary standards or with septic tank effluent that has been screened.

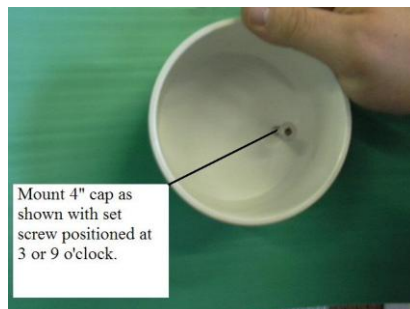
The HD Fowler flow inducer comes completely assembled and includes all the materials necessary for easy field installation. The list of parts includes:

- The flow inducer
- 4" mounting cap and set screw
- Mounting tee and set screw



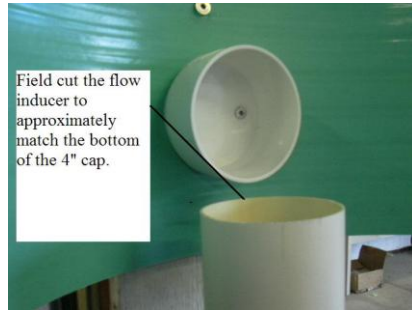
Tools needed:

- Cordless drill
- Square head screw driver bit
- Pilot hole drill bit (any size from 1/8" to 3/16")



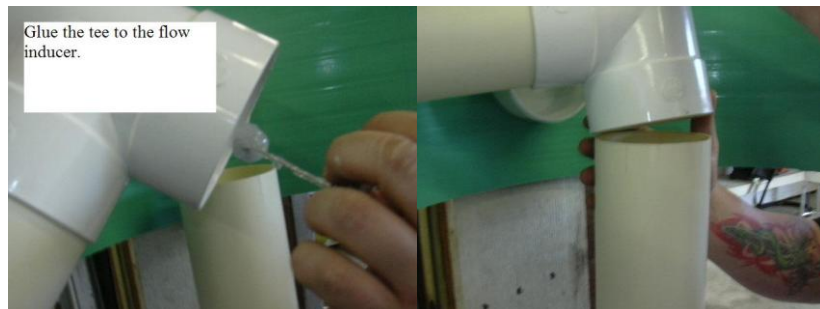
**Step 1.**

Mount a 4" mounting cap at the approximate location desired on the interior of the tank riser. Drill a pilot hole in the side of the riser for the set screw. The set screw is installed at either the 3 or 9 o'clock position. The top of the mounting cap should be no less than 5" below the top of the riser.



**Step 2. Field cut the flow inducer.**

Measure the distance from the floor of the tank to the invert of the mounting cap. Cut the flow inducer to this length.



**Step 3. Glue mounting tee.**

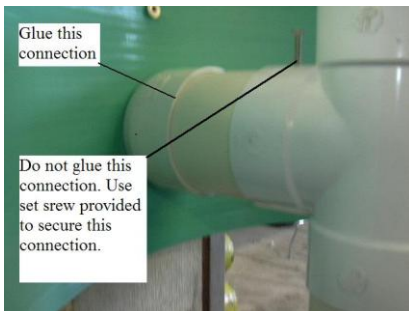
Glue the mounting tee to the flow inducer as shown.



**Step 4. Secure flow inducer to mounting cap.**

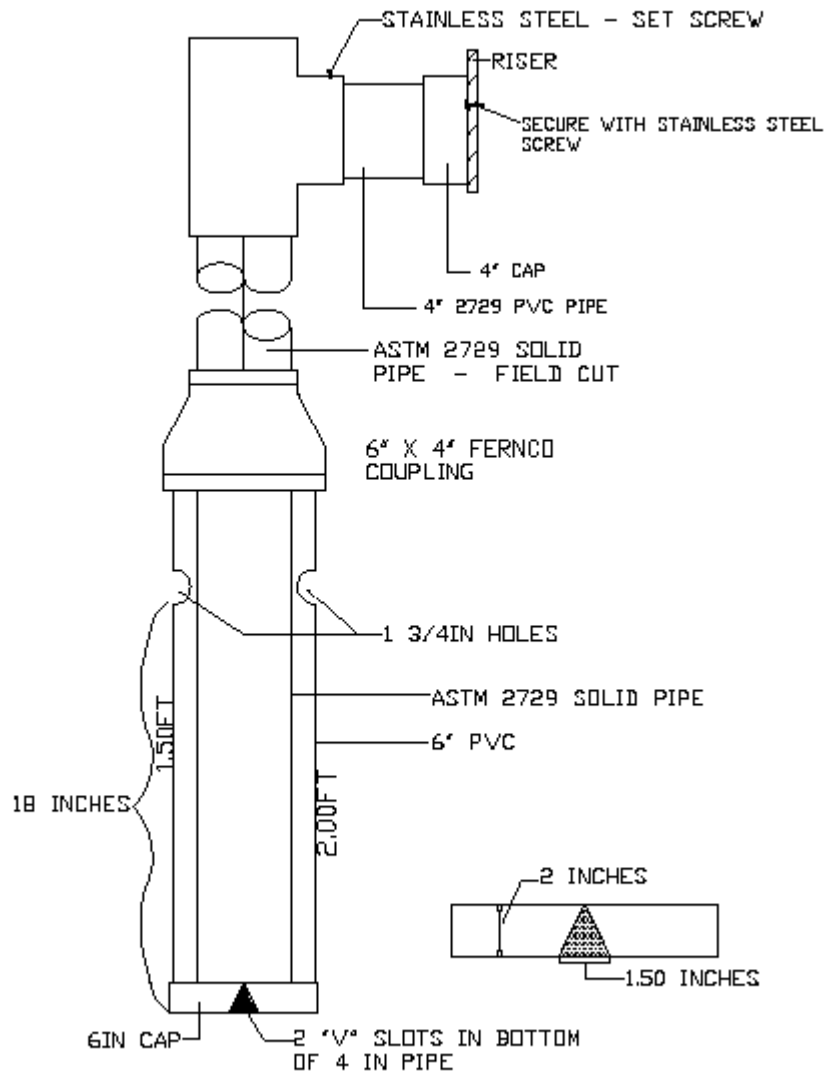
Stand the flow inducer on the floor of the pump tank. The mounting cap and mounting tee will probably not match up exactly. The mounting cap can be rotated to match the mounting tee and then glued into place.

Note: ***Do not*** glue the tee to the horizontal pipe with the set screw. Once the flow inducer is installed, removing the set screw allows the flow inducer to be removed for servicing.



***Do not glue the tee connection with the set screw!***

# DRIP FLOW INDUCER



Drawing by: J. Baima, Baima Enterprises, modified by Perry Almassy, HD Fowler Co.